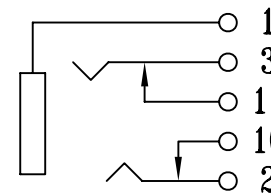
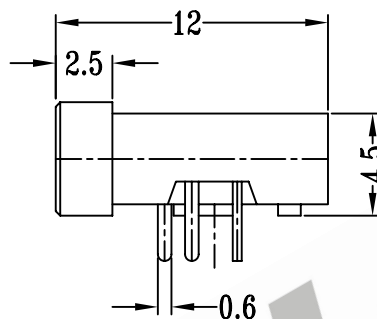
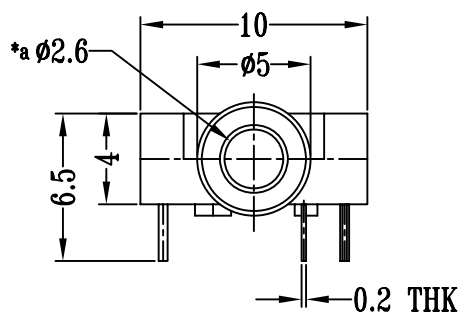
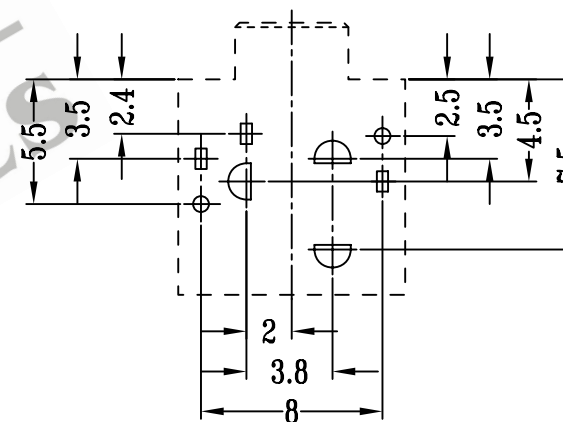
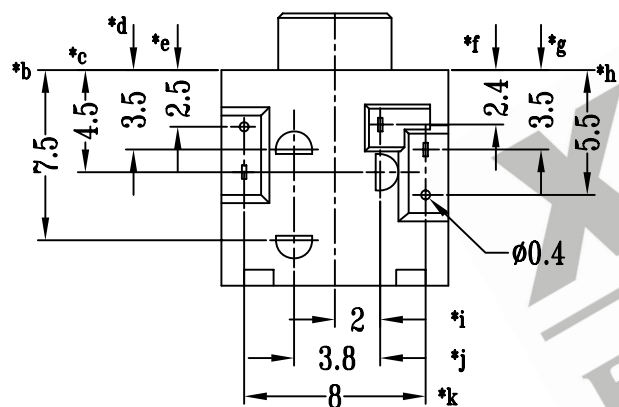


CAD FILE:



SCHMATIC



P.C.B LAYOUT

注:带\*表示关键尺寸(11个)

|     |                   |              |      |                          |   |                                      |            |                             |           |           |
|-----|-------------------|--------------|------|--------------------------|---|--------------------------------------|------------|-----------------------------|-----------|-----------|
| 8   | WIRE PLATE E      | PBS WIRE     | 1&2  | Ag PLATED                | TOLERANCE<br>UNLESS SPECIFIED           | SHENZHEN XIEJIA ELECTRONICS CO.,LTD. |            |                             |           |           |
| 7   | SPRING TERMINAL C | PBS STRIP    | 1    | Ag PLATED OVER Ni PLATED |   |                                      |            |                             |           |           |
| 6   | CASE              | NYLON66+94V0 | 1    | BLACK                    | WITHIN: 1.5±0.1mm                       | ISSUE                                | DATE       | DESCRIPTIONS OF REVISION    |           | APPD.     |
| 5   | COVER             | PC           | 1    | CLEAR                    | OVER: 1.5±0.2mm                         |                                      |            |                             |           |           |
| 4   | SOCKET            | BRASS        | 1    | Ni PLATED                | TITLE : PHONE JACK                      |                                      | UNIT : mm  | DRWG NO.: XJ-DR-ST103C06-00 |           |           |
| 3   | SPRING TERMINAL B | PBS STRIP    | 1    | Ag PLATED OVER Ni PLATED |   |                                      |            |                             |           |           |
| 2   | TERMINAL A        | PBS STRIP    | 1    | Ag PLATED OVER Ni PLATED | MODEL: ST-103C-06                       |                                      | SCALE: 3:1 | DWN.                        | ZHOUYU    | 2005-3-11 |
| 1   | WIRE PLATE D      | PBS WIRE     | 1&2  | Ag PLATED                |   |                                      |            | CHK'D                       | FANGYING  | 2005-3-11 |
| NO. | PARTS             | MATERIALS    | Q'TY | FINISH                   | ALL MATERIALS MUST BE COMPLIANT TO ROHS |                                      | APPD.      | KANGXINAN                   | 2005-3-11 |           |